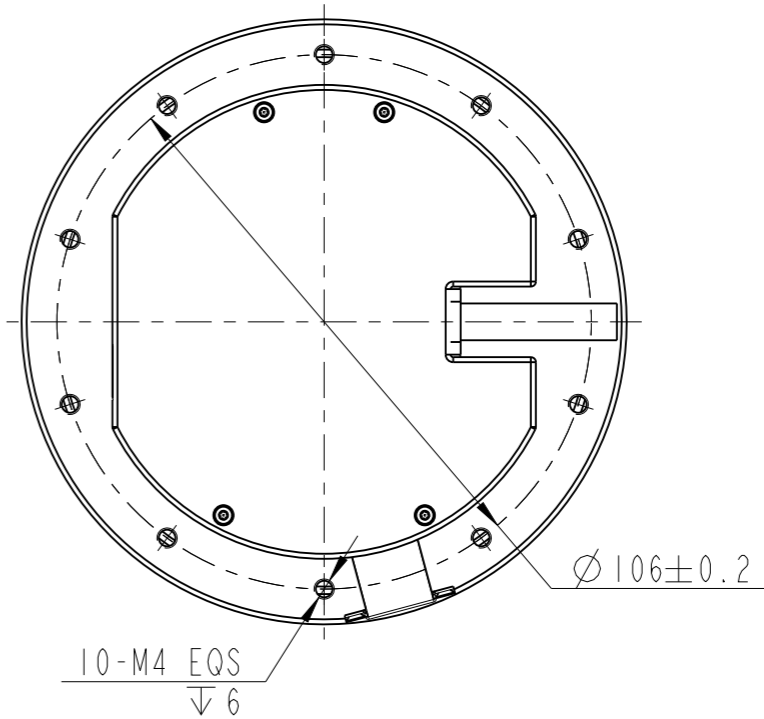
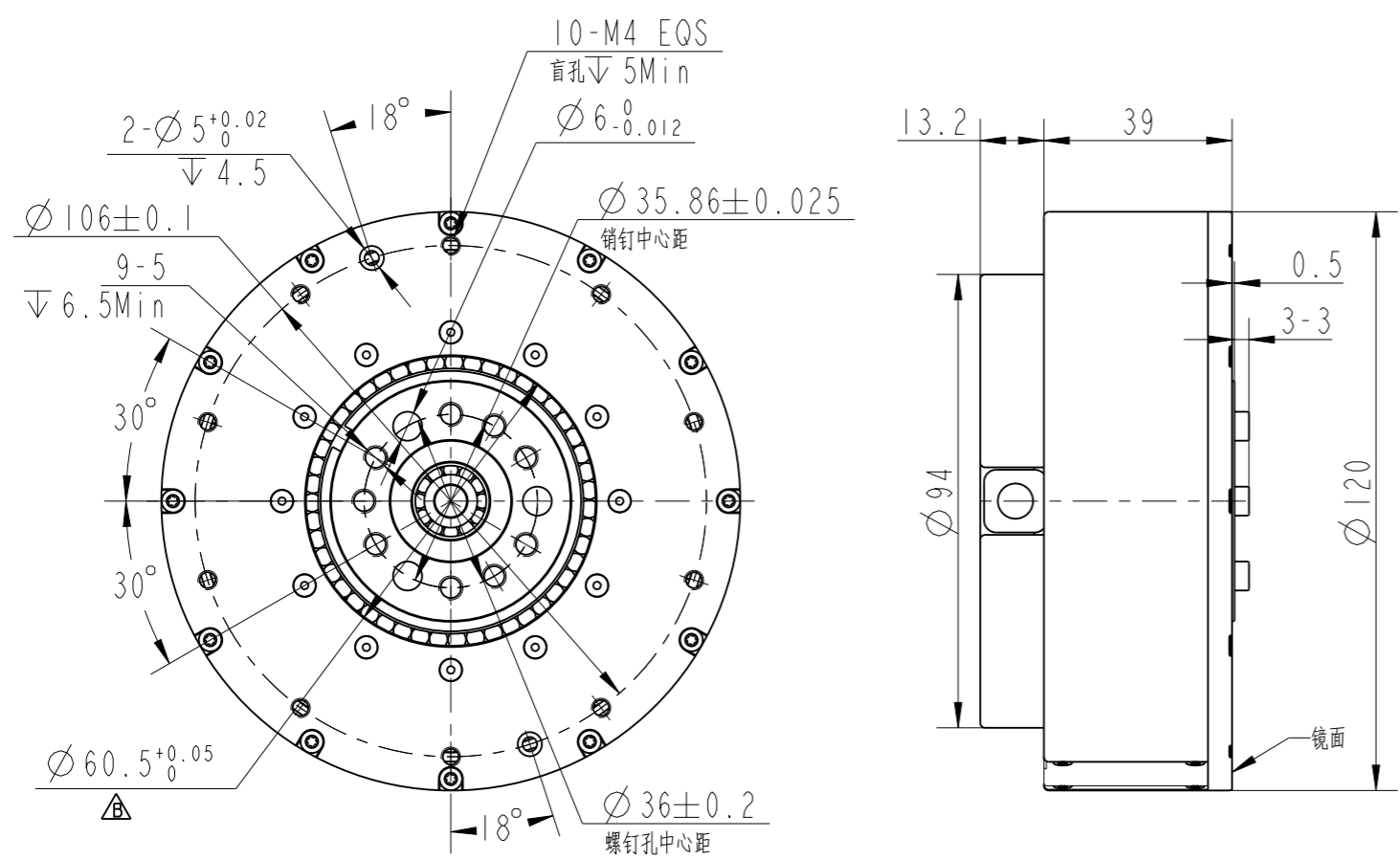


REV	ECN	NO	DESCRIPTION	DRN	APP'D	DATE



保密

NUMBER OF PHASE	绕组相数	3								
NUMBER OF POLES	极数	42								
LINE TO LINE RESISTANCE	线电阻	$0.17 \pm 10\%$ ohms@20°C								
LINE TO LINE INDUCTANCE	线电感	$0.22 \pm 20\%$ mH@1kHz								
NOMINAL VOLTAGE	额定电压	48 VDC								
NO LOAD SPEED	空载转速	$200 \pm 10\%$ RPM								
NO LOAD CURRENT	空载电流	2 Arms	PERMISSIBLE RADIAL+AXIAL FORCE							
RATED TORQUE	额定转矩	40 N.m								
RATED SPEED	额定转速	167 RPM								
RATED CURRENT	额定电流	$27 \pm 10\%$ Apk								
PEAK TORQUE	峰值转矩	120 N.m								
PEAK CURRENT	峰值电流	$27 \pm 10\%$ Apk								
BACK EMF CONSTANT	反电势常数	17 Vrms/kRPM								
TORQUE CONSTANT	转矩常数	2.1 N.m/A								
INSULATION CLASS	绝缘等级	B 130°C					AXIAL-FORCE	轴向压力	Fa= /	
DIELECTRIC STRENG	介电强度	600VAC ISEC					DISTANCE	距离	a= /	
INSULATION RESIST	绝缘电阻	100Mohm @500VDC	RADIAL-FORCE	径向压力	Fr=					
Reduction Ratio	减速机电比	9:1	SHAFT RADIAL PLAY	径向间隙	/					
WEIGHT	重量	1420±20g	SHAFT AXIAL PLAY	轴向间隙	/					
OPERATION AMBIENT	使用环境	Ambient temperature: -20...+50°C, humidity Max.85%(No condensation)								
STORAGE AMBIENT	存储环境	Ambient temperature: -30...+70°C, humidity Max.85%(No condensation)								

REV	ECN NO.	DESCRIPTION	DESIGN	DATE	P/N.	TITLE		
UNLESS OTHERWISE SPECIFIED TOLERANCES:		MATERIAL	WEIGHT	CHECK	USED ON			
DECIMALS: .X ±0.5					FL120BLW38-48V-120Nm			
.XX ±0.25					SHEET	STANDARDIZATION	DWG NO.	REV
.XXX ±0.1					1 OF 1			A
UNIT: mm		FIRST ANGLE PROJECTION	SCALE	APPD	FULLING MOTOR			
DO NOT SCALE DRAWING			2:3					